

RFID UHF Ear Tag - 2



IDT UHF RFID Ear Tag - 2 works passively on radio frequency. There is no external power source required, making it cost effective and long lasting. By applying them on the ear of an animal, all the data may be fetched from a fairly long distance without disturbing or going near the animal. It may provide speedy data gathering at the farms, slaughter houses and many more sectors where bulk reader is required from a distance.

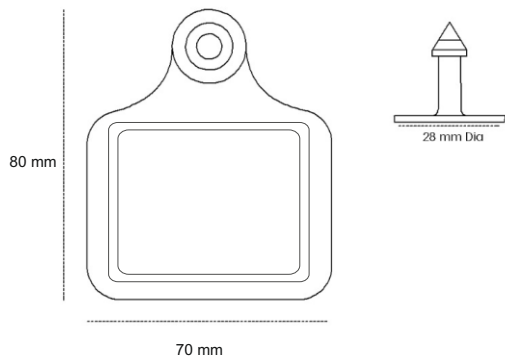
PHYSICAL PARAMETERS

Dimensions	80 (L) X 70 (W) X 3.25 (T) mm
Weight	14.30 g
Encasement	Ether Grade Thermoplastic Polyurethane Elastomer
Packaging	100 Pcs Male In Polybag 100 Pcs Female In Polybag
Color	Lemon Yellow (Other Colour Available Upon Request)

RF FREQUENCY

Protocol	ISO/IEC 18000-6C EPC Gen2 v2
Operating Frequency	865-867 MHZ
Reader Range with Fixed Reader	UPTO 10M (READER DEPENDENT)
Reader Range with Handheld Reader	UPTO 6M (READER DEPENDENT)
IC Type	UCODE 8
EPC Memory	Up to 128 Bit
TID Memory	96 Bit
Data Retention	10 Years
Read-Write Cycle	Up to 100000

RFID ANIMAL TAG DIMENSION



ENVIRONMENTAL SPECIFICATION

Temperature	-40°C - +70°C (Operating) / -40°C - +85°C (Storage)
IP Rating	IP 68
Humidity	95%
Chemical Resistance	Resistant to Chemical Solvent & Moisture

PERSONALIZATION

Pre-Encoding	Customer Specific Encoding of EPC Customer Specific Layout Including Logo
User Laser Marking	Text, Numbers, Barcode, Etc.

ORDER INFORMATION

Part No.	IDT.RF.UHF.ET-2
-----------------	-----------------

APPLICATION AREA



Semen
Collection



Health Record
Keeping



Insurance



Slaughter
House



Livestock
Identification



ID TECH SOLUTIONS PVT. LTD.

610, Udyog Vihar Phase-5, Gurgaon, Haryana - 122016, INDIA | T. : +91-124 - 4255530 (6 Lines)

E.: info@idsolutionsindia.com | W: www.idsolutionsindia.com

The product specifications and descriptions listed in the specification sheet are subject to change anytime without notice.

© 2020 ID Tech Solutions Pvt. Ltd. All Rights Reserved.

