

# IDT CERA 21

RFID Asset Tags



Ceramic Tags are UHF Gen2 Long Range passive tags instituted for industrial manufacturing, warehouse management and large equipment administration. They are especially made to facilitate the industrial chores by offering a spiffing reading range for assorted applications. They can sustain exorbitant temperatures and hence are ideal to be deployed in diverse industries.

## PHYSICAL CHARACTERISTICS

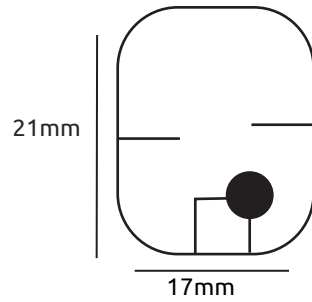
<b>Dimensions</b>	21mm * 17mm
<b>Weight</b>	Variable
<b>Encasement / Material</b>	Ceramic
<b>Packaging</b>	Premium Plastic Packing

## RF SPECIFICATIONS

<b>Protocol</b>	ISO/IEC 18000-6C, EPC Global C1G2
<b>Operating Frequency</b>	865 – 868 MHz / 902 – 928 MHz
<b>Read Range Fixed Reader</b>	Up to 2m (Reader Dependent)
<b>Read Range Handheld Reader</b>	Up to 1m (Reader Dependent)
<b>IC Type</b>	Alien Higgs-3 /4, Monza 4/4QT/5/R6/R6P, UCODE 7/8 chip
<b>EPC Memory</b>	Chip Dependent
<b>User Memory</b>	Chip Dependent



## RFID CERAMIC TAG DIMENSION



## ENVIRONMENTAL SPECIFICATIONS

Operating Temperature	-40 to +85 °C
Storage Temperature	-40 to +85 °C
IP Rating	IP68
Chemical Resistance	Resistant To Chemical Solvent and Moisture
Shock & Vibration	MIL STD 810-G
Attachment	Rivets & Screws Adhesive

## PERSONALIZATION

Pre-Encoding	Customer Specific Encoding of EPC
Customized Printed	Customer Specific Layout Including Logo, Text, Numbers, Barcode, Etc.

## ORDER INFORMATION

Part No.	IDT.RF.T.CRM.BL (Blank)
	IDT.RF.T.CRM.AI (Adhesive Indoor)
	IDT.RF.T.CRM.AO Adhesive Outdoor)

## APPLICATION AREA



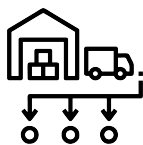
Construction



Manufacturing



Energy



Logistics



Supply Chain



Transportation

ID TECH SOLUTIONS PVT. LTD

610, Udyog Vihar Phase-5, Gurgaon,

Haryana - 122016, INDIA | T. : +91-124 - 4255530 (6 Lines)

E.: [info@idsolutionsindia.com](mailto:info@idsolutionsindia.com) | W.: [www.idsolutionsindia.com](http://www.idsolutionsindia.com)

