

IDT RFID ACTIVE CARDS

RFID Long Range 2.4 GHz Cards



2.4 GHz



IP 67



5 Years
Battery Life



Up to
150m

IDT Active RFID Cards have an inbuilt power source and hence are specially modelled to be used in application areas including but not limited to automatic vehicle identification, parking management and attendance automation. They offer a reading range of up to 150m thus playing a significant role for diverse industries. They are IP 67 rated which enables them to be used readily even in harsh environmental conditions.

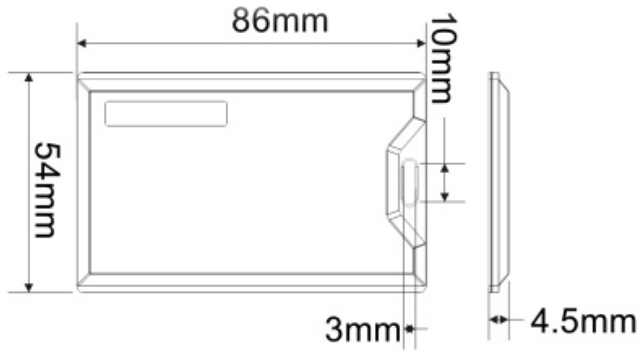
PHYSICAL PARAMETERS

| | |
|-------------------------|---|
| Dimensions | 85mm x 55mm x 4.50mm |
| Weight | 22g ± 2 |
| Housing Material | High-tension Waterproof PVC Plastic Shell |
| Packaging | Premium Plastic Packing |
| Attachment | Card Holder, Lanyard |

ENVIRONMENTAL SPECIFICATIONS

| | |
|------------------------------|--|
| Operating Temperature | -40°C to +85°C |
| Storage Temperature | -40°C to +85°C |
| Chemical Resistance | Resistant To Chemical Solvent and Moisture |
| Shock & Vibration | 10~2000Hz, 20mm/15g, Triaxial |
| Sealing | IP 67 |

IDT RFID ACTIVE CARDS DIMENSION



RF PERFORMANCE

| | |
|-----------------------------------|--|
| Working Frequency | 2.4GHz |
| Read Range Fixed Reader | Up to 150m (Reader Dependent) |
| Read Range Handheld Reader | Up to 50m (Reader Dependent) |
| Operating Mode | Active operating mode |
| Signal Interval | 500ms/time(can be customized) |
| Battery Life | 5-year life (related with the operating mode and output power) |

PERSONALIZATION

| | |
|---------------------------|---|
| Pre-Encoding | Customer Specific Encoding |
| Customized Printed | Customer Specific Layout Including Logo, Text, Numbers, Barcode, etc. |

ORDER INFORMATION

| | |
|-----------------|-------------------------|
| Part No. | IDT.RF.T.ACD.BL (Blank) |
|-----------------|-------------------------|

APPLICATION AREA



Education



Warehouse



Manufacturing



Oil & Gas



Transportation



ID TECH SOLUTIONS PVT. LTD.

610, Udyog Vihar Phase-5, Gurgaon, Haryana - 122016, INDIA | T. : +91-124 - 4255530 (6 Lines)

E.: info@idsolutionsindia.com | W: www.idsolutionsindia.com

The product specifications and descriptions listed in the specification sheet are subject to change anytime without notice.

©2023 ID Tech Solutions Pvt. Ltd. All Rights Reserved.

