

IDT RFID ACTIVE KEYFOB TAGS

RFID Long Range 2.4 GHz Tags



2.4 GHz



IP 67



4 Years
Battery Life



Up to
150m

IDT RFID Active Keyfob Tags have an inbuilt power source and hence are specially modelled to be used in application areas including but not limited to automatic vehicle identification, parking management and attendance automation. They offer a reading range of up to 150m thus playing a significant role for diverse industries. They are IP67 rated which enables them to be used readily.

PHYSICAL PARAMETERS

Dimensions 51mm x 30mm x 10mm

Weight 15g ± 2

Housing Material ABS/PVC

Packaging Premium Plastic Packing

Attachment Key Chain, Lanyard

ENVIRONMENTAL SPECIFICATIONS

Operating Temperature -40°C to +85°C

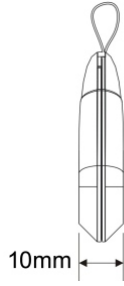
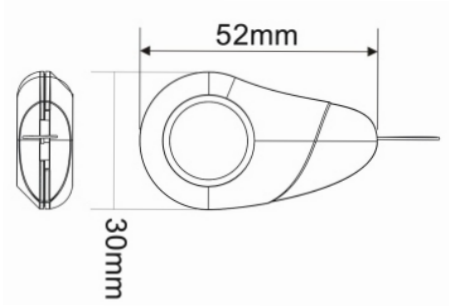
Storage Temperature -40°C to +85°C

Chemical Resistance Resistant To Chemical Solvent and Moisture

Shock & Vibration 10~2000Hz, 20mm/15g, Triaxial

Sealing IP 67

IDT RFID ACTIVE KEYFOB TAGS DIMENSION



RF PERFORMANCE

Working Frequency	2.4GHz
Read Range Fixed Reader	Up to 150m (Reader Dependent)
Read Range Handheld Reader	Up to 70m (Reader Dependent)
Operating Mode	Active operating mode
Signal Interval	500ms/time (can be customized)
Battery Life	4-year life (related with the operating mode and output power)

PERSONALIZATION

Pre-Encoding	Customer Specific Encoding
Customized Printed	Customer Specific Layout Including Logo, Text, Numbers, Barcode, etc.

ORDER INFORMATION

Part No.	IDT.RF.T.KFB.BL (Blank)
-----------------	-------------------------

APPLICATION AREA



Education



Mining



Manufacturing



Oil & Gas



Construction



Transportation



ID TECH SOLUTIONS PVT. LTD.

610, Udyog Vihar Phase-5, Gurgaon, Haryana - 122016, INDIA | T. : +91-124 - 4255530 (6 Lines)

E.: info@idsolutionsindia.com | W: www.idsolutionsindia.com



The product specifications and descriptions listed in the specification sheet are subject to change anytime without notice.

©2023 ID Tech Solutions Pvt. Ltd. All Rights Reserved.