

UHF Mount On Metal Tag

IDT FERRIC™ 50



The IDT Ferric 50 is a highly advanced RFID tag that is designed for on-metal tagging and offers long-range communication capabilities. This compact tag is available in two frequency bands - 865-868 MHz (ETSI) and 902-928 MHz (FCC) - to suit different applications. The Ferric 50 is compact enough to be used in a wide range of applications, including asset tracking, returnable transport units (RTUs), and supply chain management. It is ideal for industrial logistics and manufacturing, where reliable and accurate tracking of assets is essential for efficient operations.

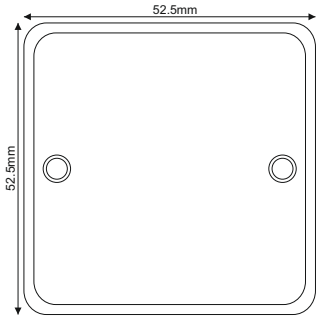
PHYSICAL PARAMETERS

Dimensions	52.5mm x 52.5mm x 10mm
Weight	8gm ± 2
Encasement / Material	ABS/PVC
Packaging	Premium Plastic Packing

ENVIRONMENTAL SPECIFICATIONS

Operating Temperature	-40°C to +85°C
Storage Temperature	-40°C to +85°C
Chemical Resistance	Resistant To Chemical Solvent and Moisture
Shock & Vibration	MIL STD 810-G
Attachment	Adhesive, Rivets & Screws, Magnets
Sealing	IP 68

FERRIC 50 DIMENSION



UHF PERFORMANCE

Working Frequency	860-960 MHz (ETSI), 902-928 MHz (FCC)
Standard Protocol	EPC Class 1 Gen2 (ISO18000-6C)
Chip Type	Alien Higgs-3 /4, Monza 4/4QT/5/R6/R6P, UCODE 7/8 chip
EPC Memory	Chip Dependent
TID Memory	Chip Dependent
Read Range with Fixed Reader	Up to 6m (Reader & Chip Dependent)
Read Range with Handheld Reader	Up to 4m (Reader & Chip Dependent)

PERSONALIZATION

Pre-Encoding	Customer Specific Encoding of EPC
Customized Printed	Customer Specific Layout Including Logo, Text, Numbers, Barcode, etc.

ORDER INFORMATION

Part No.	IDT.RF.T.FE.50.BL (Blank)
	IDT.RF.T.FE.50.AI (Adhesive Indoor)
	IDT.RF.T.FE.50.AO (Adhesive Outdoor)
	IDT.RF.T.FE.50.MR (Magnets / Rivets)

APPLICATION AREA



Manufacturing



Aviation



Logistics



Supply Chain



Warehouse



ID TECH SOLUTIONS PVT. LTD.

610, Udyog Vihar Phase-5, Gurgaon, Haryana - 122016, INDIA | T. : +91-124 - 4255530 (6 Lines)

E.: info@idsolutionsindia.com | W: www.idsolutionsindia.com



The product specifications and descriptions listed in the specification sheet are subject to change anytime without notice.

©2023 ID Tech Solutions Pvt. Ltd. All Rights Reserved.